



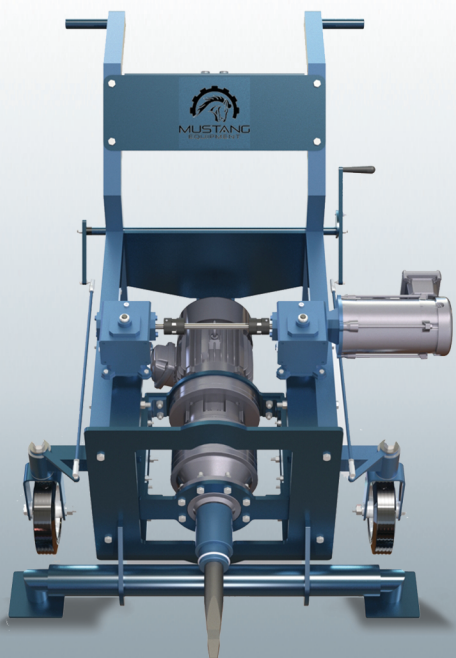
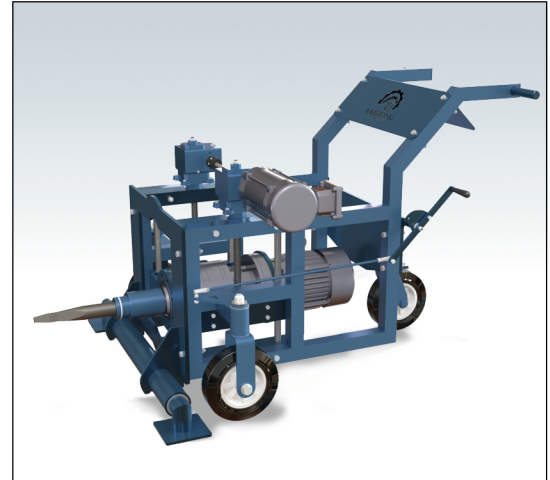
MODEL ED, ELECTRIC GATE OPENER

MUSTANG
EQUIPMENT

The Model ED Gate Opener can be summed up in two words: POWER and SPEED. This unit provides a maximum torque of 2,900 ft-lbs and a nominal speed of 18.5 RPM.

All Mustang Equipment Gate Openers come with the following standard features:

- We are the first in the market to offer a heavy wall aluminum tube frame that provides a strong, light weight, corrosion resistant design. All stainless steel fasteners and a powder coat finish provides you with the highest corrosion resistant design on the market.
- Stable 3 wheel design for easy maneuvering and use. The front two wheels are fixed while the third is a swiveling caster. Extendable stabilizers for high torque situations.
- Pivoting front wheels for traveling capstans. A single lever rotates the front wheels 90 degrees. Front wheels lock in the forward or pivoted position.
- Manually operated drive train lift allows for variations between different gate heights and unloading platforms. Shaft height can be adjusted anywhere between 7 and 20 inches above the ground.
- Hardened steel output shaft provides high strength as well as resistance to fatigue and stress. It is precision machined and easily changed if worn or damaged.
- Flat free solid tires of cushion rubber on high-impact polypropylene wheel centers. These tires are ideal for outdoor use and compliment our corrosion resistant design.



The MODEL ED Gate Opener comes standard with a 208-230/460 Volt motor. Mustang Equipment can also supply you with the necessary motor starter and lead for your new Gate Opener. Just let us know what voltage and how long of a lead you require.

Model ED Approximate Operating Weight = 520 lbs
Options include electrically operated drive train lift, different output shaft lengths and Explosion Proof motor and controls (Division 1, Class 2, Groups F & G).

314-270-4000

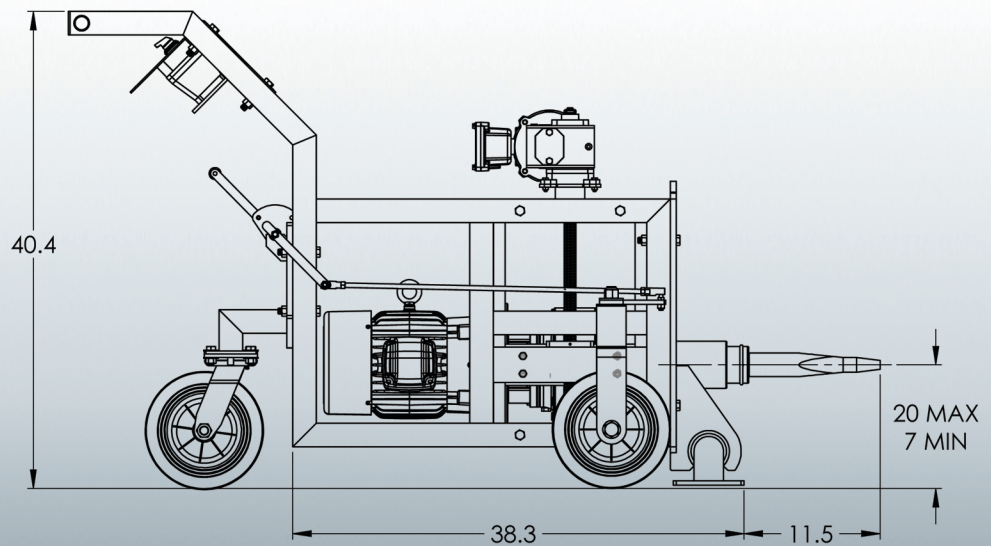
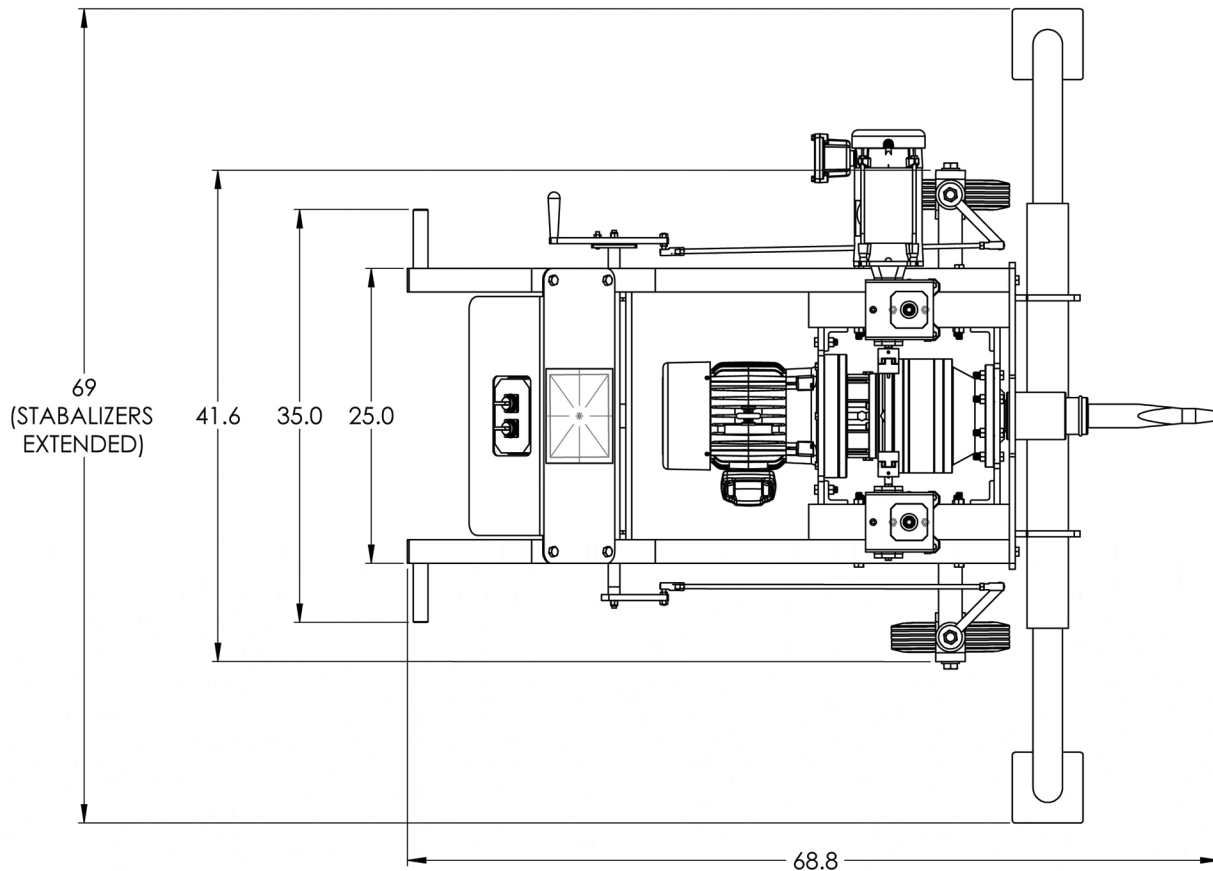
mustang-equipment.com
info@mustang-equipment.com



MUSTANG
EQUIPMENT

MODEL ED, ELECTRIC GATE OPENER

We offer a full line of electric, hydraulic and pneumatic hopper gate openers. Contact us today.



314-270-4000
mustang-equipment.com
info@mustang-equipment.com